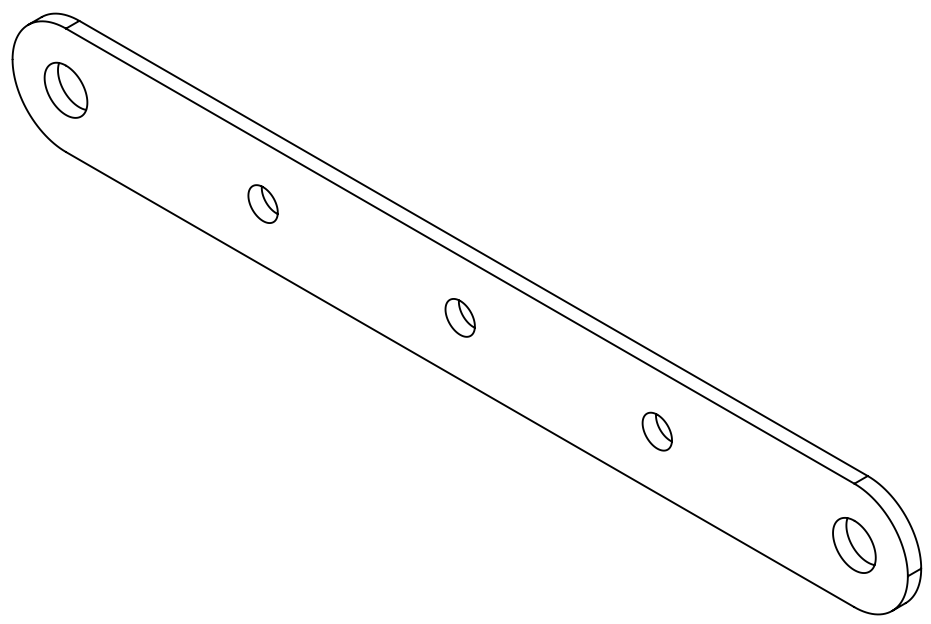
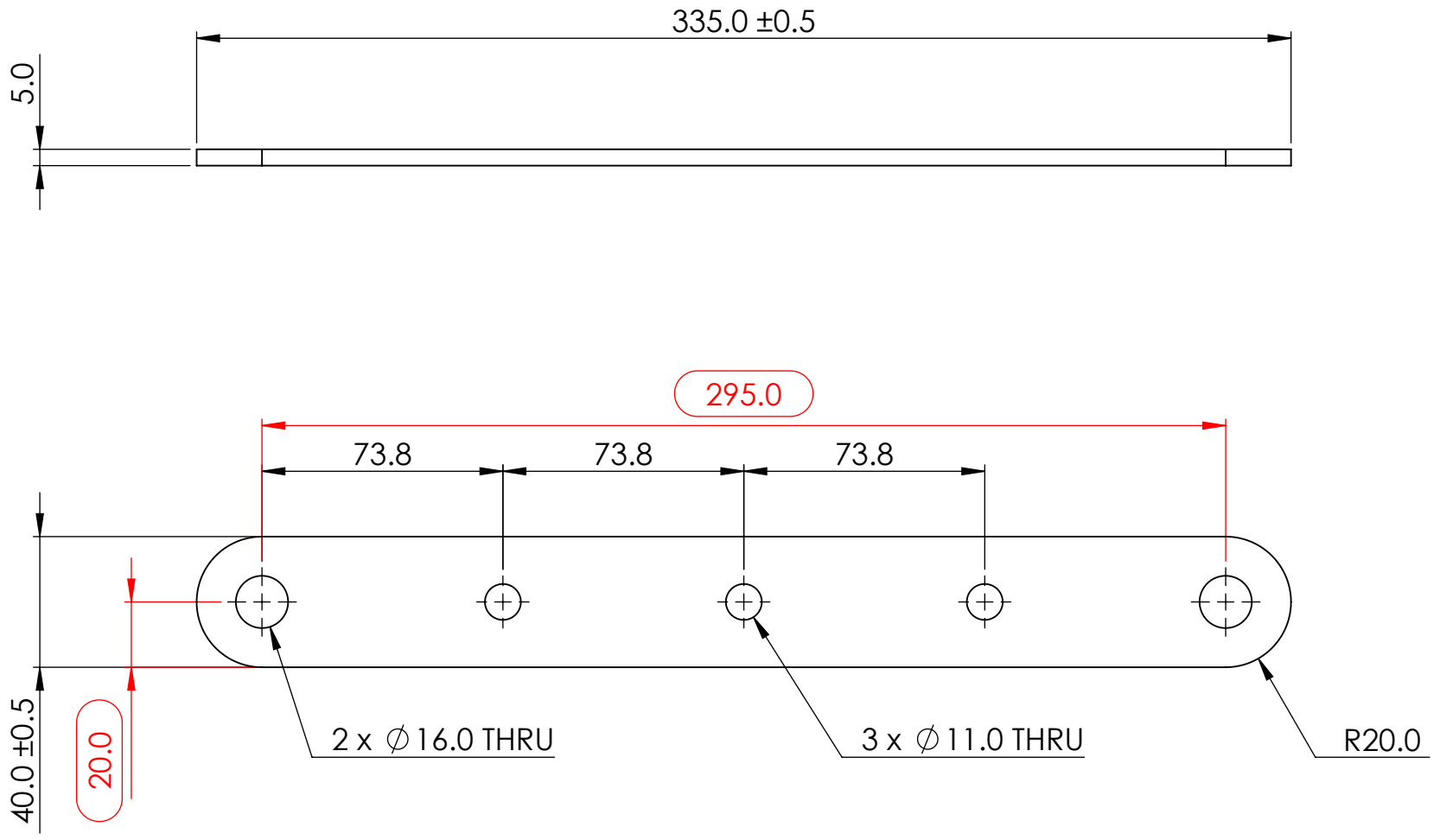


4

3

2

1



**Critical Dimension**

All dimensions are in millimeter(s) unless otherwise indicated. All dimensions and associated leaders, arrows, extensions or other aspects of dimensional callouts are indicated in blue. Checking dimensions are indicated in green and are indicated to assist on classification where deemed necessary by Tectonic Audio Labs. 3D Geometry is provided for reference only - Tectonic Audio Labs provided drawings and documentation indicates official specification.

All parts, assemblies and materials represented on this drawing and the associated drawings or files shall comply with current RoHS, REACH, and Conflict Resource directives and standards. Materials, parts or assemblies found to not comply with RoHS, REACH or the Tectonic Audio Conflict Resource policy shall be judged as nonconforming or reject and subject to return or refund.

Material Specification	TITLE: Connector Bar - LS-212	DWG. NO. Connector Bar - LS-212		REVISION A
Material: ASTM A572, Gr.50	Project: DML Flyware Rigging	SIZE B	SCALE 1:2	SHEET 1 OF 1
Color: Black	Mass: 482.8 grams	Date: 3/2/2020	Drawn by: Irwin N.	QTY. 8
Surface Finish: Powder Coated - Textured			Acoustic System Approval: _____	Date: _____
Treatment/Process: ---			Quality Assurance Approval: _____	Date: _____
			Mechanical Design Approval: _____	Date: _____
		General Tolerances		
		0.1~1 ± 0.1		
		0.01~0.1 ± 0.01		
		0.001~0.01 ± 0.005		

4

3

2

1