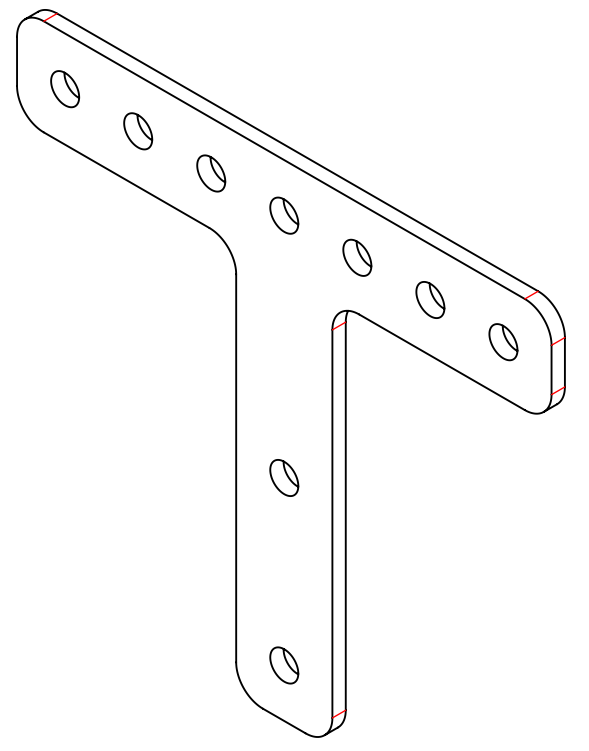
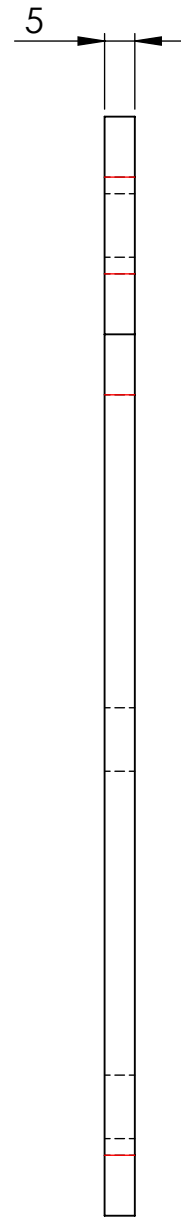
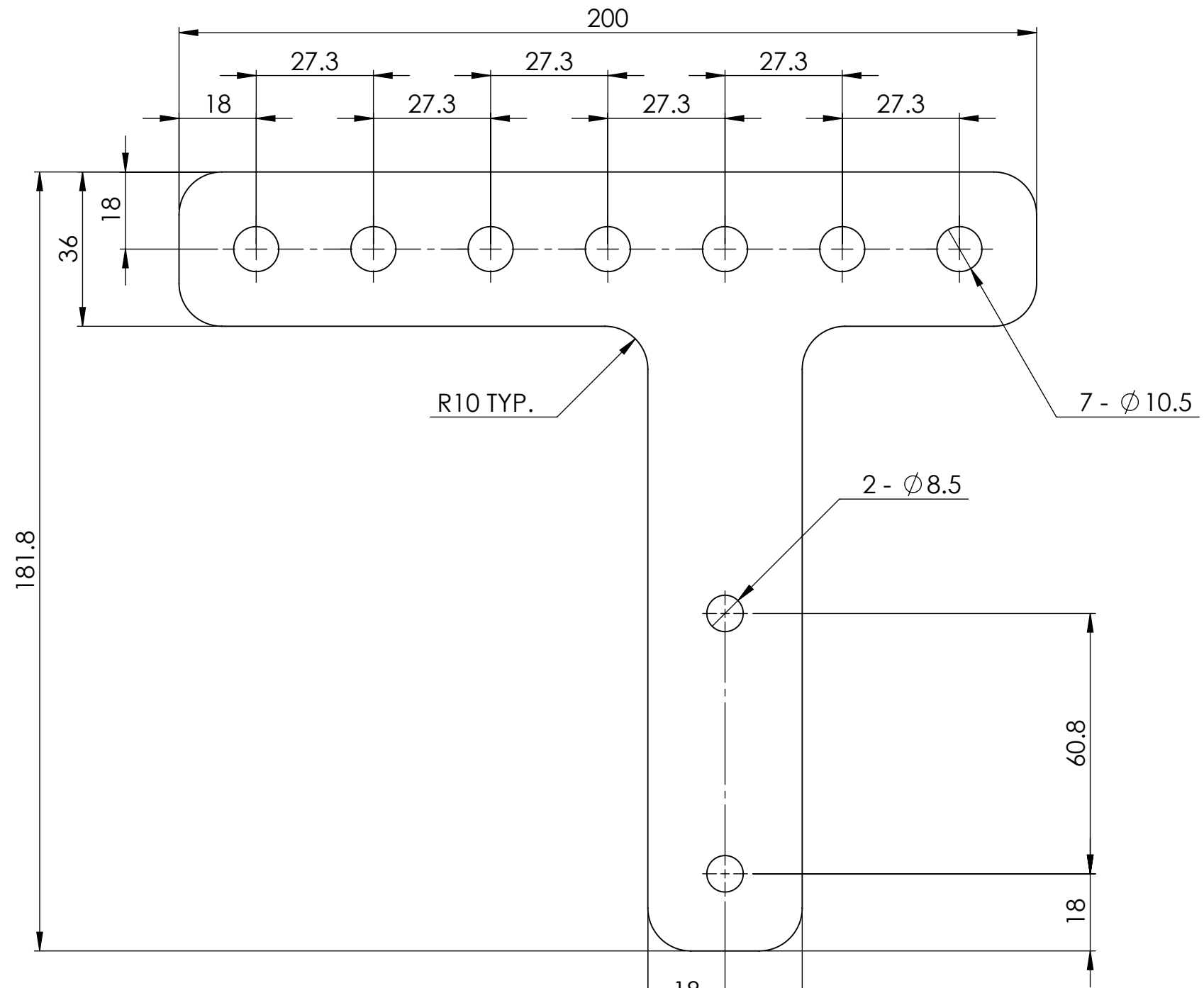


4

3

2

1



Note: this is the Offset Version

Material Specification		TITLE: DML Flyware Head		DWG. NO. DML Flyware Head		REVISION A	
Material: Plain Carbon Steel		Project: DML Rigging		SIZE B	SCALE 1:5	SHEET 1 OF 1	QTY.
Color: Black		Mass: 454.02 grams	Date: 3/18/2020	Drawn by: Irwin N.	Acoustic System Approval: _____		Date: _____
Surface Finish:				General Tolerances		Quality Assurance Approval: _____	
Treatment/Process:				0.1~1 ± 0.1	Mechanical Design Approval: _____		Date: _____
				0.01~0.1 ± 0.01			
				0.001~0.01 ± 0.005			

Critical Dimension

All dimensions are in millimeter(s) unless otherwise indicated. All dimensions and associated leaders, arrows, extensions or other aspects of dimensional callouts are indicated in blue. Checking dimensions are indicated in green and are indicated to assist on classification where deemed necessary by Tectonic Audio Labs. 3D Geometry is provided for reference only - Tectonic Audio Labs provided drawings and documentation indicates official specification.

All parts, assemblies and materials represented on this drawing and the associated drawings or files shall comply to current RoHS, REACH, and Conflict Resource directives and standards. Materials, parts or assemblies found to not comply with RoHS, REACH or the Tectonic Audio Conflict Resource policy shall be judged as nonconforming or reject and subject to return or refund.

4

3

2

1