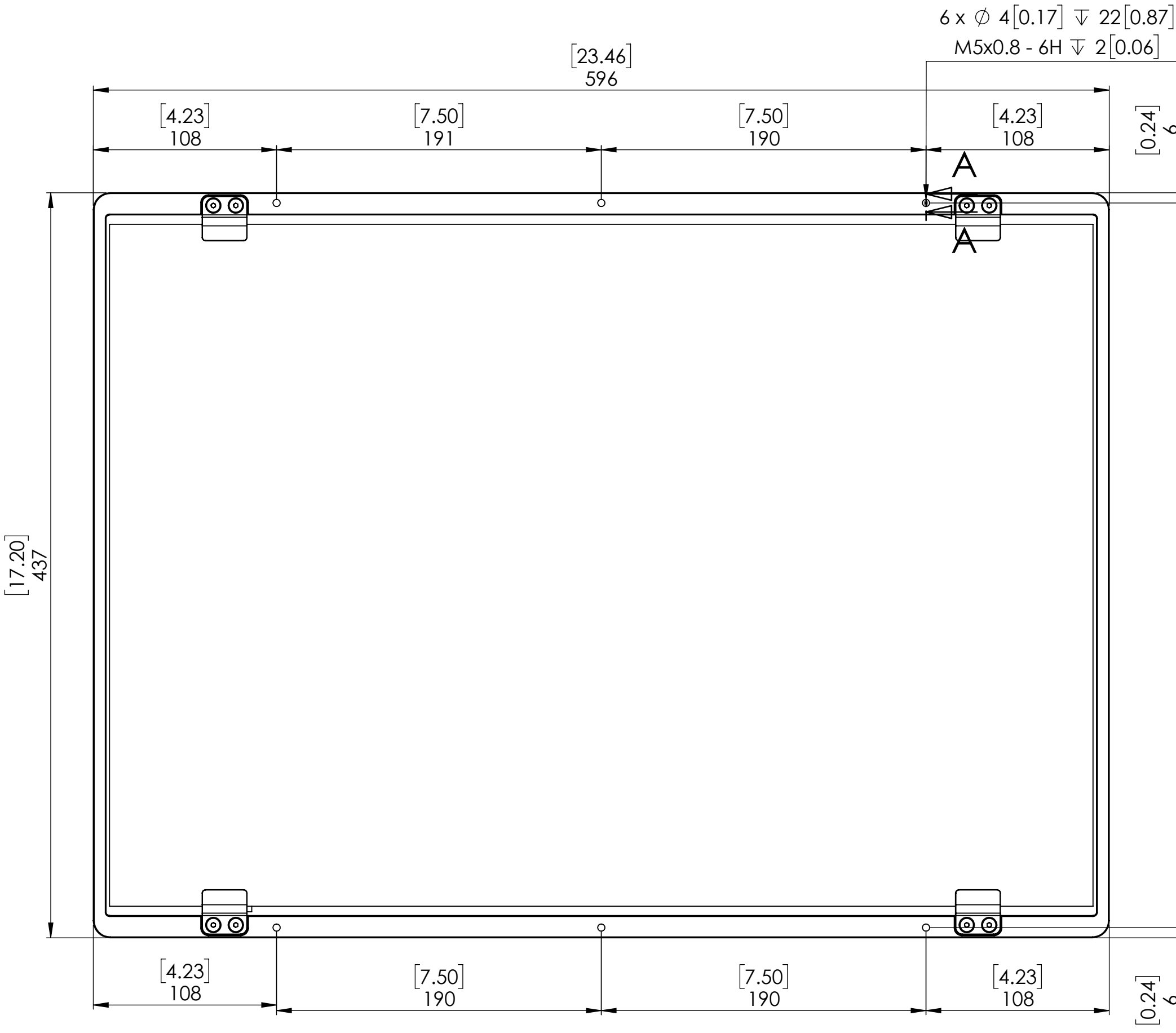
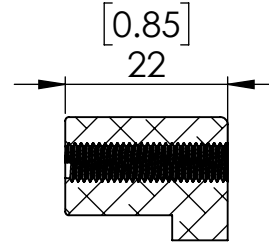


All Dimensions in [Inch]  
Metric

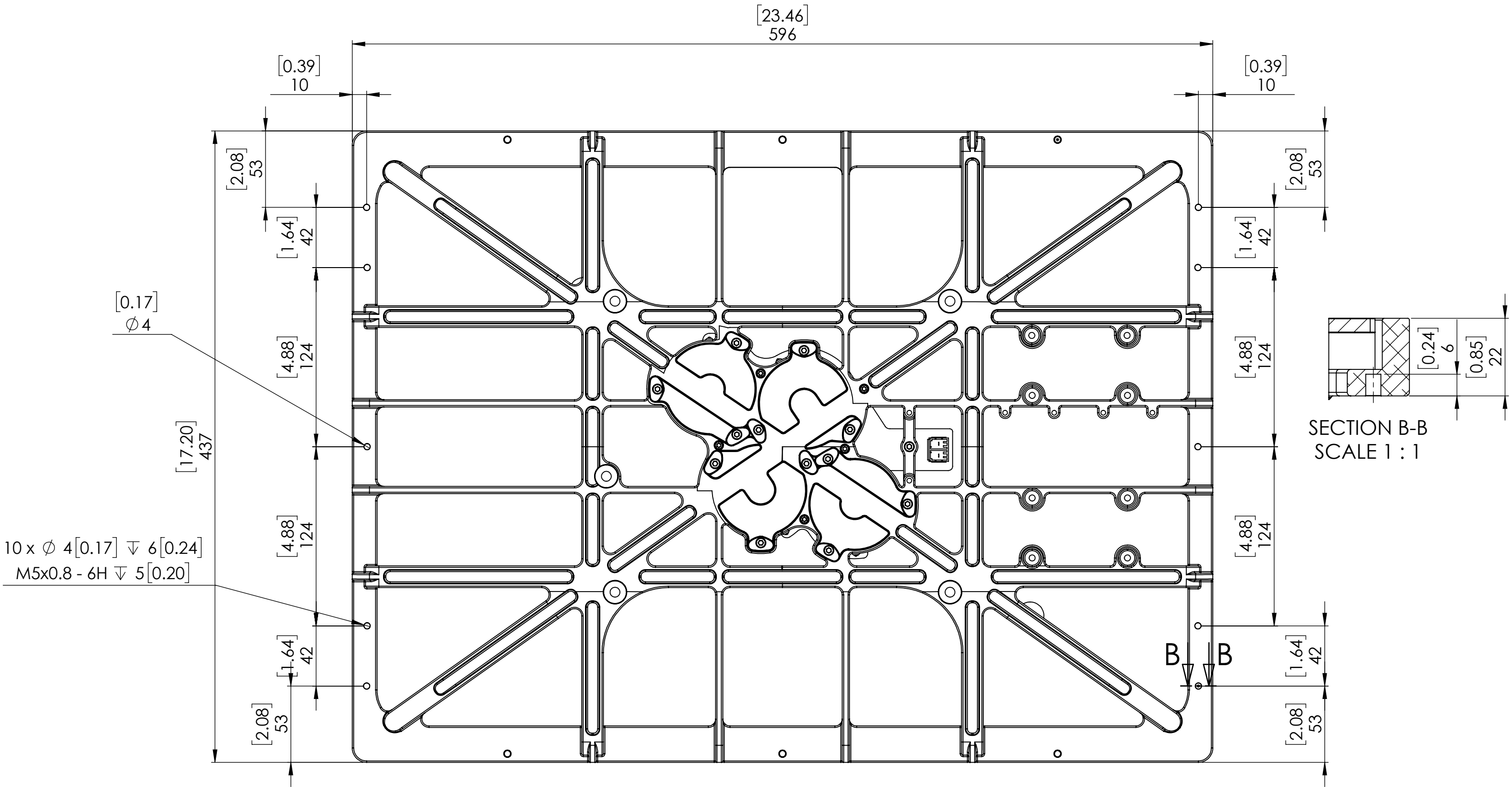


6 x  $\phi$  4 [0.17]  $\nabla$  22 [0.87]  
M5x0.8 - 6H  $\nabla$  2 [0.06]



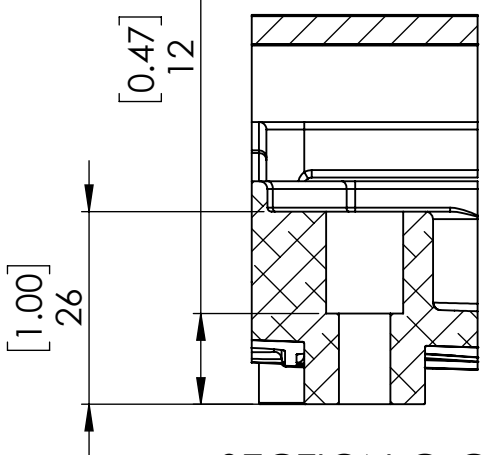
SECTION A-A  
SCALE 1 : 1

All Dimensions in [Inch]  
Metric



All Dimensions in [Inch]  
Metric

5 x  $\phi$  7 [0.27]  $\nabla$  26 [1.01]  
M8x1.25 - 6H  $\nabla$  12 [0.47]



SECTION C-C  
SCALE 1 : 1

